

MITSUBISHI FUSO



FK200 THE DEPENDABLE
PARTNER YOUR
BUSINESS NEEDS.





FK200 SPECIFICATIONS

RE-ENGINEERED FROM THE INSIDE OUT. The FK200 model combines the latest advances in driver ergonomics, instrumentation and cab comfort. The interior is up to 8% quieter, offers more headroom, panoramic visibility and a standard 5-speed automatic transmission. Outside, the sleek exterior delivers 4% better aerodynamics with van bodies and an up to 25% improvement with flatbeds and low profile bodies. The FK200 is also backed by a 5-year/250,000-mile powertrain limited warranty — best in the industry.



CHASSIS

Transmission	Standard Estimated top speed (mph)	Allison® 1000 RDS 5-speed OD AT 80
Axles	Front Rear	Reverse Elliot, I-beam type, 7,280-lb. capacity Full floating type, 16,975-lb. capacity
Final reduction gear	Type Ratio	Single-reduction hypoid 4.444
Curb weight base model	7,845 lb. (est.)	
Turning diameter	48.0 ft.	
Tires (premium)	Single front, dual rear Size	225/70R19.5 12PR Highway/Traction
Disc wheel	19.5" x 6.75"/6-lug	
Steering	Ball-nut-type with integral-type hydraulic power booster Tilt/telescoping steering column	
Cruise control	Standard (programmable)	
Windows/door locks	Power (standard)	
Air conditioning	Standard	
Suspension	Front Rear	Parabolic leaf springs Parabolic leaf springs
Brakes	Service Parking Exhaust	Drum air/hydraulic-type with ABS Drum/driveline, internal expanding shoe Air actuated
Frame	Type Section modulus Yield strength RBM per rail Height/width	Ladder/straight 10.37 cu. in. 56,560 psi 550,330 lb.-in. 36"/33.1"
Fuel tank	50-gallon side mount	
Electrical system	Two 12-volt, maintenance-free batteries – 799 CCA each	
Vehicle safety	Energy-absorbing steering wheel, crush bars in doors, daytime running lights and ABS standard	

MITSUBISHI FUSO



Roomy cabin and comfortable seats improve driver comfort



Revised instrument panel layout gives driver quick view of engine status

ENGINE

Model	Mitsubishi 6M60
Type	SOHC 4-stroke cycle, water-cooled, turbocharged, intercooled diesel with 4 valves per cylinder
No. of cylinders	Six in-line
Piston displacement	460 cu. in. (7.5 liter)
Max. output (SAE, gross)	243 hp @ 2600 rpm
Max. torque (SAE, gross)	514 lb.-ft. @ 1400 rpm
Air cleaner	Dry paper element with snorkel
Starter	12-volt
Alternator	12-volt, 100-amp
Cold weather starting aid	Individual ceramic-tipped glow-plugs

SAFETY

Crush bar in each door

Energy-absorbing steering wheel

Daytime running lights

Air/hydraulic brakes with ABS, all wheels

High-visibility halogen headlamps

Open-grate entry steps

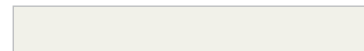


Controls are easy to reach and operate

BODY COLORS



Arcadia Silver



Natural White



Jupiter Green



Mars Red



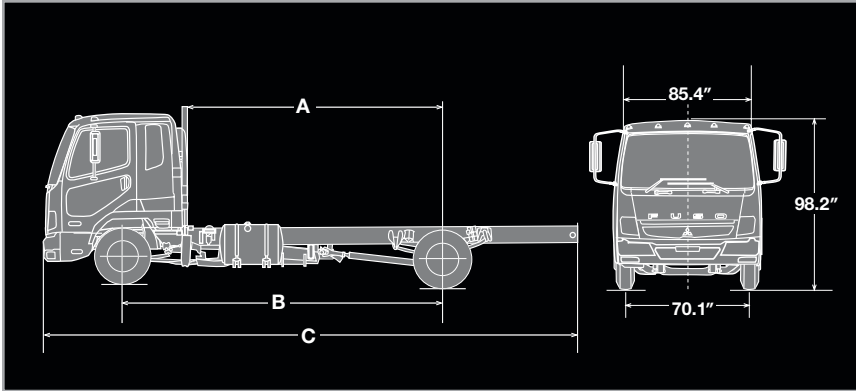
Shannon Blue

All models are available immediately in white. Other colors may be special ordered at no extra charge.

FABRIC STYLE



Blue and Gray Cloth



DIMENSIONS

A. Usable cab to rear axle	140.4"	152.2"	178.3"
B. Wheelbase	179.9"	191.7"	218.1"
C. Overall length (end of frame)	301.4"	318.7"	357.3"
Body size accommodated	18'	20'	22' 24'

WEIGHT (LB.)*

GVWR/GAWR	19,850	Front 7,280	Rear 13,660
GCWR	26,000		
Max. body-payload capacity	12,005		

*Weight approximate. See dealer for details.



MITSUBISHI FUSO
TRUCK OF AMERICA, Inc.
2015 Center Square Road
Logan Township, NJ 08085

For the dealer nearest you,
or for more information,
visit our web site at:
www.mitfuso.com

Vehicle specifications are subject to change without notice. Photos and descriptions included in this spec sheet may vary in comparison to actual vehicle models. For warranty limitations and details, see your local dealer. Allison is a registered trademark of General Motors Corporation. PRINTED IN THE U.S.A. ON RECYCLED AND RECYCLABLE PAPER 11/07. ©2007 MITSUBISHI FUSO TRUCK OF AMERICA, Inc.

